

KG096033A (96 DOTS × 32 DOTS)

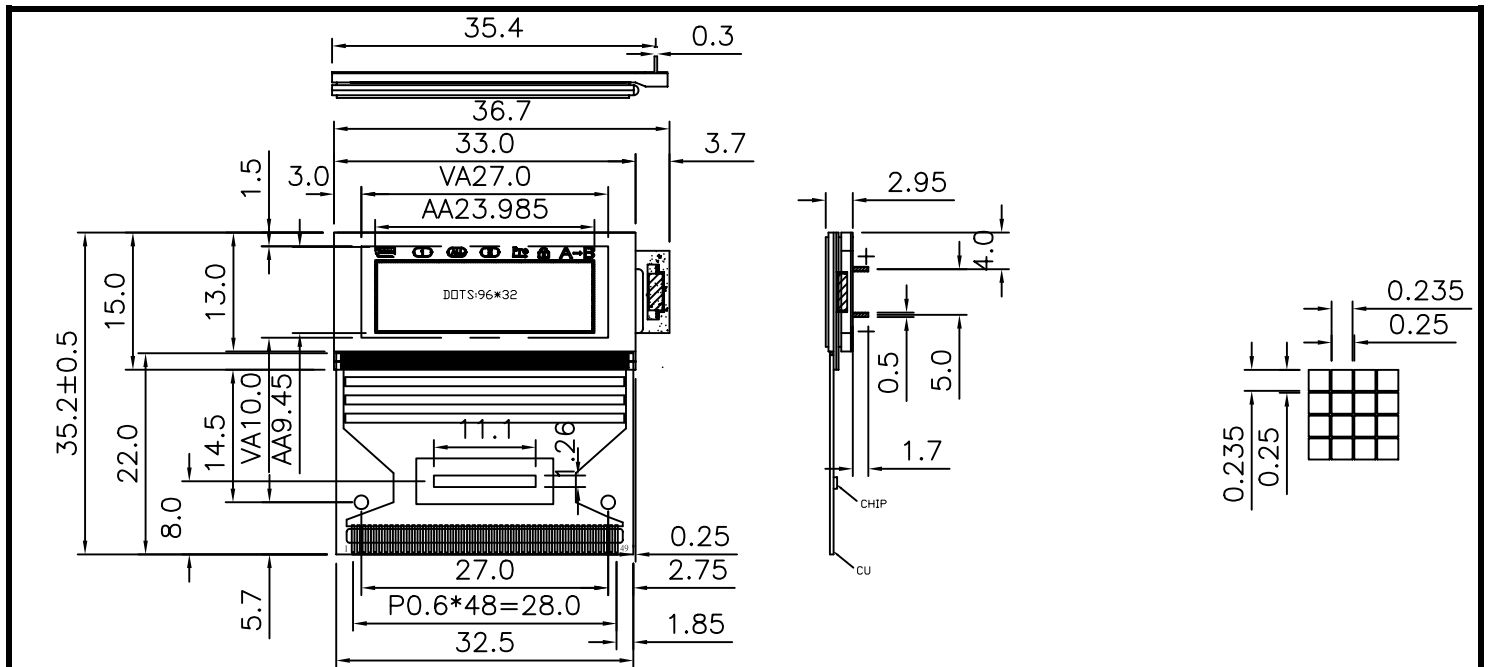
FEATURES

- ◆ BUILT-IN CONTROLLER (NT7534 OR EQUIVALENT)
- ◆ +3.3V POWER SUPPLY
- ◆ 1/33 DUTY CYCLE
- ◆ 8-BIT PARALLEL INTERFACE
- ◆ 3.3V LED FORWARD VOLTAGE

INTERFACE PIN CONNECTIONS

NO.	SYMBOL	FUNCTION	NO.	SYMBOL	FUNCTION
1~4	NC	-	27	VSS	0V
5	FR	Alternating Current Signal I/O	28	VOUT	DC/DC Voltage Converter
6	CL	Clock Input	29	NC	-
7	DOF	Display Blanking Control	30~34	C3P~C2N	Internal DC/DC Voltage Converter
8	NC	-	35	VEXT	External Reference Voltage Input
9	CS1	Chip Select Signal for IC1	36	VRS	Internal or External Voltage Select
10	CS2	Chip Select Signal for IC2	37~41	V1~V4, V0	LCD Driving Voltage Levels
11	RES	Reset Signal	42	VR	Contrast Adj.
12	A0	Data Type Select Signal	43	M/S	Master/Slave Select
13	WR	Read/Write	44	CLS	Internal Oscillator Select
14	RD	Enable Signal	45	C86	6800 or 8080 Interface
15~22	D0~D7	Data Bus Line	46	P/S	Parallel or Serial Data Input
23~24	DUTY0, 1	LCD Driver Duty Select	47	HPM	Power Mode Select
25	VDD	3.3V	48	IRS	Internal Resistors Select for V0
26	VDD2	LCD Set-up Voltage	49	NC	-

EXTERNAL DIMENSIONS



MECHANICAL DATA

ITEM	DIMENSIONS	UNIT
Module Size (W × H × T)	36.7×35.2×4.65	mm
Viewing Area (W × H)	27×10	mm
Active Area (W × H)	23.985×9.45	mm
Dot Size (W × H)	0.235×0.235	mm
Dot Pitch (W × H)	0.25×0.25	mm

ABSOLUTE MAXIMUM RATINGS

ITEM	SYMBOL	MIN.	TYP.	MAX.	UNIT
Supply Voltage For Logic	V _{DD}	0	-	3.6	V
Supply Voltage For LCD	V _{LCD}	0	-	5.3	V
Input Voltage	V _{IN}	V _{SS}	-	V _{DD}	V

ELECTRICAL CHARACTERISTICS

ITEM	SYMBOL	CONPITION	MIN.	TYP.	MAX.	UNIT
Supply Voltage For Logic	V _{DD} -V _{SS}	-	-	3.3	-	V
Supply Voltage For LCD	V _{LCD}	V _{DD} =3.3V, Ta=25°C	4.9	5.1	5.3	V
Supply Current For LCD	I _{DD}	V _{DD} =3.3V	-	-	2	mA
Input Voltage	"HIGH" Level	V _{IH}	-	2.2	-	V _{DD} V
	"LOW" Level	V _{IL}	-	0	-	0.6 V
Output Voltage	"HIGH" Level	V _{OH}	-	2.4	-	V _{DD} V
	"LOW" Level	V _{OL}	-	0	-	0.4 V